

coaching sessions



UNITED
FEDERATION
OF TEACHERS

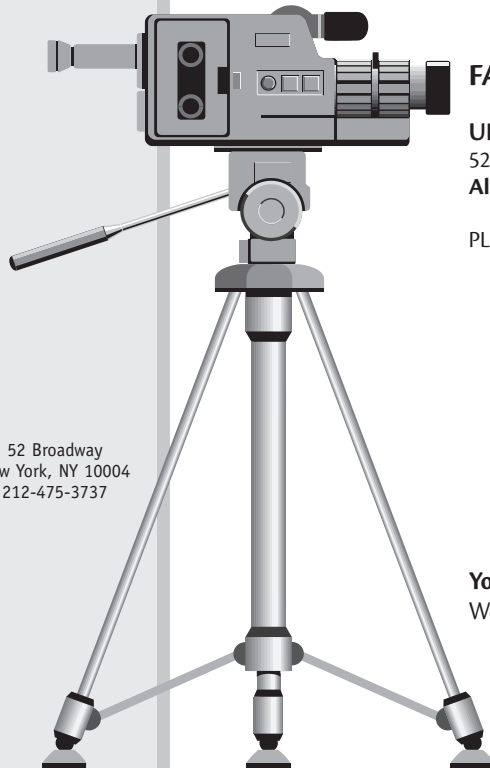
Randi Weingarten
President

52 Broadway
New York, NY 10004
212-475-3737

Creating a Videotape for Permanent New York State Certification (ATS-P)

Seeking Permanent State Certification?

We invite you to a workshop
that will assist you.



FALL 2008 – SPRING 2009 SCHEDULE

UFT Headquarters, Manhattan
52 Broadway (near Wall Street)
All sessions meet 8:30 a.m. – 1 p.m.

PLEASE SELECT ONE SESSION ONLY:

- Sunday, September 21, 2008
- Saturday, September 27, 2008
- Saturday, October 4, 2008
- Sunday, October 12, 2008
- Saturday, November 1, 2008
- Sunday, December 7, 2008

You will NOT receive confirmation.

We will contact you only if your selection is not available.

PHOTO I.D. IS REQUIRED FOR ADMISSION
TO SESSIONS AT UFT BOROUGH OFFICES.

REGISTRATION COUPON

CREATING A VIDEOTAPE FOR PERMANENT
NYS CERTIFICATION (ATS-P)

Mail to: UFT/Coaching
52 Broadway — 18th floor
New York, NY 10004 Attn: Francine Steele

Enclose a \$15 check or money order payable to *UFT/Coaching* for the session selected below. No cash will be accepted. Fees are not refundable.

Name: _____ E-mail: _____

Home Address: _____

City: _____ State: _____ Zip: _____ Home Phone: _____

School Phone: _____ Cell Phone: _____

File # (UFT member): _____ SS#: _____

UFT Headquarters, Manhattan (52 Broadway (near Wall Street))

SELECT ONE SESSION ONLY:

- Sunday, September 21, 2008
- Saturday, September 27, 2008
- Saturday, October 4, 2008
- Sunday, October 12, 2008
- Saturday, November 1, 2008
- Sunday, December 7, 2008

UFT MEMBERS can register online at www.uft.org

- 6 easy steps to register:**
1. Log in.
 2. Click on **UFT Courses**
 3. Click on **UFT Course Catalog Menu**
 4. Click on **Course Registration**
 5. Click on **Register**
 6. Click on **Coaching for Teachers Exams**